

ISOMETRIC VIEW  
SCALE 1:50

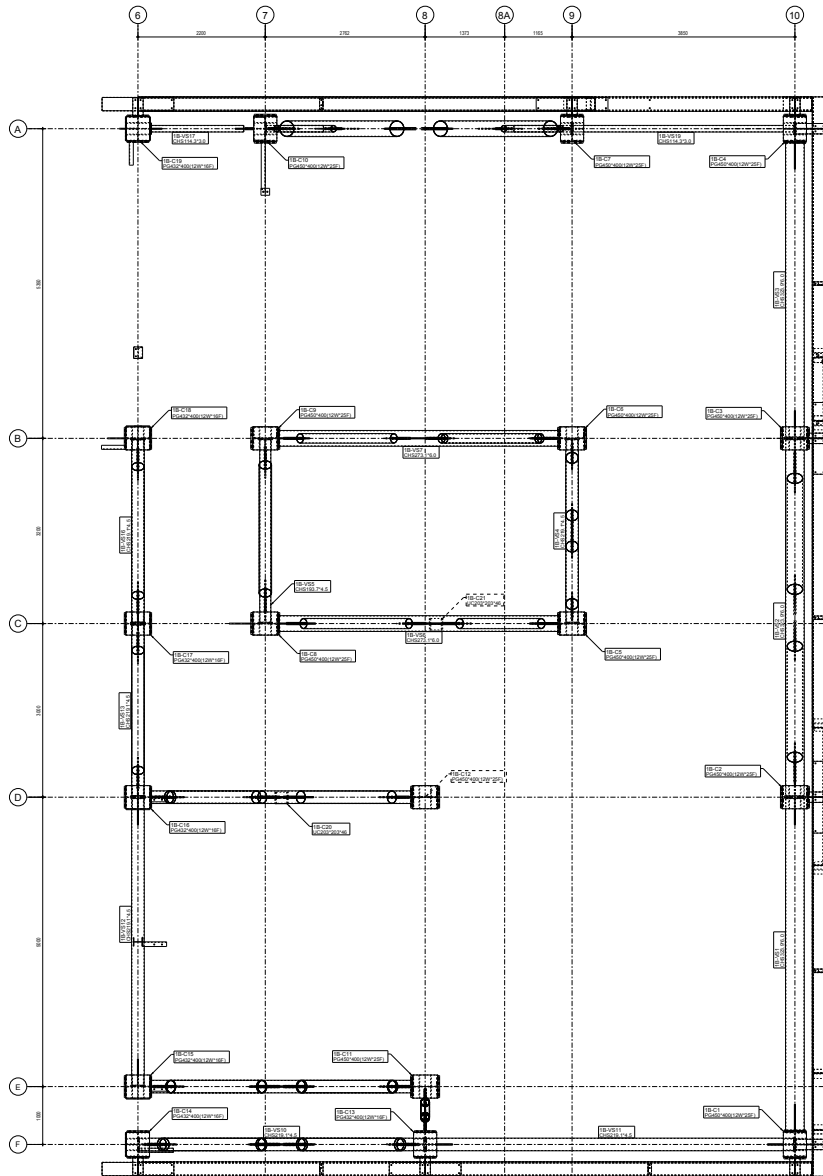
REV	DESCRIPTION	ISSUED BY	DATE	REV. NO.	REVISION
1	ISSUED FOR APPROVAL	MS	03/07/2017		
2	ISSUED FOR CONSTRUCTION	MS	03/07/2017		

**GENERAL NOTES (I/O N)**

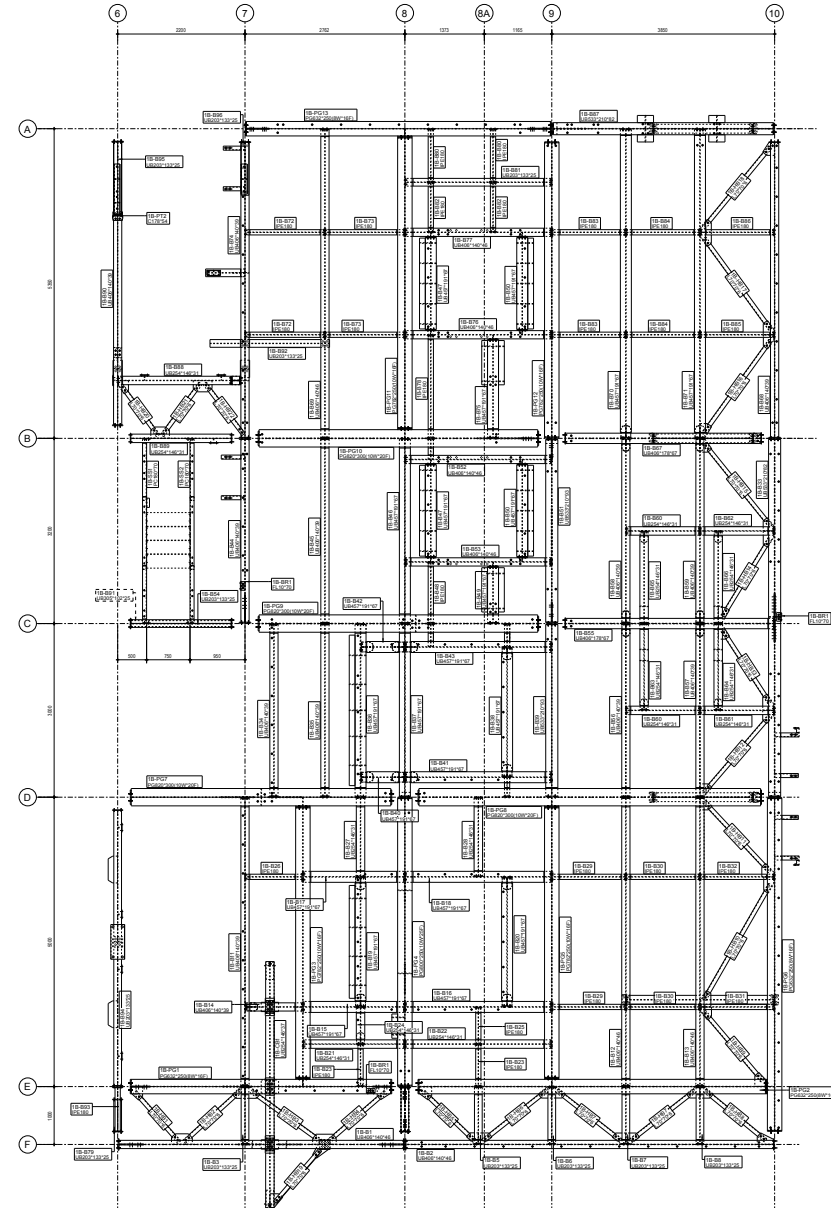
1. THIS DRAWING TO BE READ IN CONJUNCTION WITH RELEVANT CONTRACT DOCUMENTS.
2. DIMENSIONS TO FACE UNLESS SPECIFIED OTHERWISE.
3. DIMENSIONS TO FACE UNLESS SPECIFIED OTHERWISE.
4. DIMENSIONS TO FACE UNLESS SPECIFIED OTHERWISE.
5. DIMENSIONS TO FACE UNLESS SPECIFIED OTHERWISE.
6. DIMENSIONS TO FACE UNLESS SPECIFIED OTHERWISE.
7. DIMENSIONS TO FACE UNLESS SPECIFIED OTHERWISE.
8. DIMENSIONS TO FACE UNLESS SPECIFIED OTHERWISE.
9. DIMENSIONS TO FACE UNLESS SPECIFIED OTHERWISE.
10. DIMENSIONS TO FACE UNLESS SPECIFIED OTHERWISE.



MACH ENERGY - MT PLEASANT PROJECT COAL HANDLING & PROCESS PLANT	Calibre DRA JV
DMS-01 CIRCUIT ARRANGEMENT - MODULE 1B	MC
ISOMETRIC VIEW	04/08/2017
CD/JV ME18009-CP121-S-3330-00137	1:50
A1	3300-DMS1-GA-1B-01
	0



PLAN ON MODULE 1B -01  
SCALE 1:30



PLAN ON MODULE 1B -02  
SCALE 1:30

REV	DESCRIPTION	ISSUED BY	DATE	REV. BY	DATE
1	ISSUED FOR APPROVAL	MSD	02/20/17		
2	ISSUED FOR CONSTRUCTION	MSD	02/20/17		

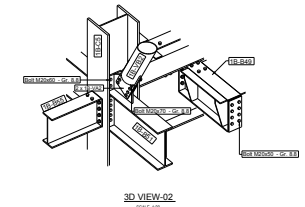
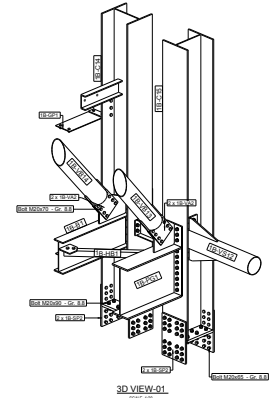
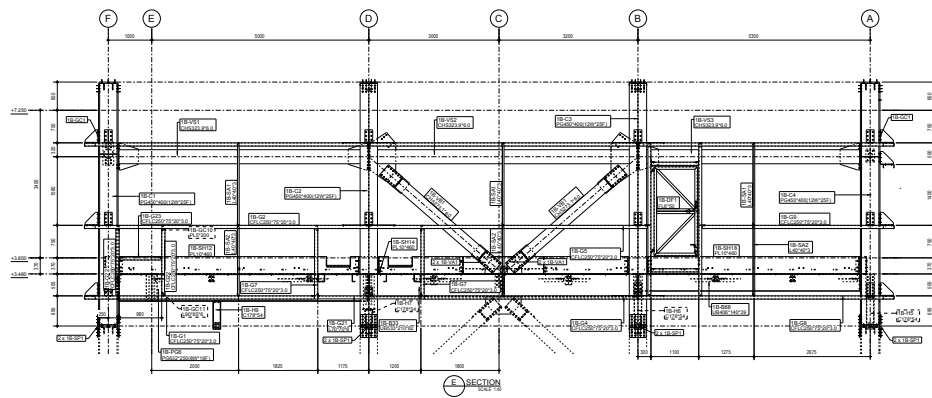
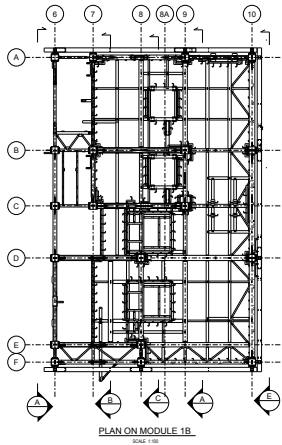
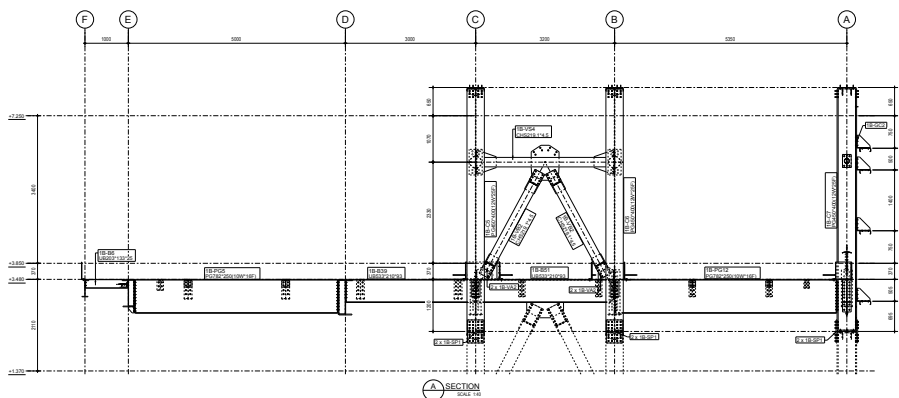
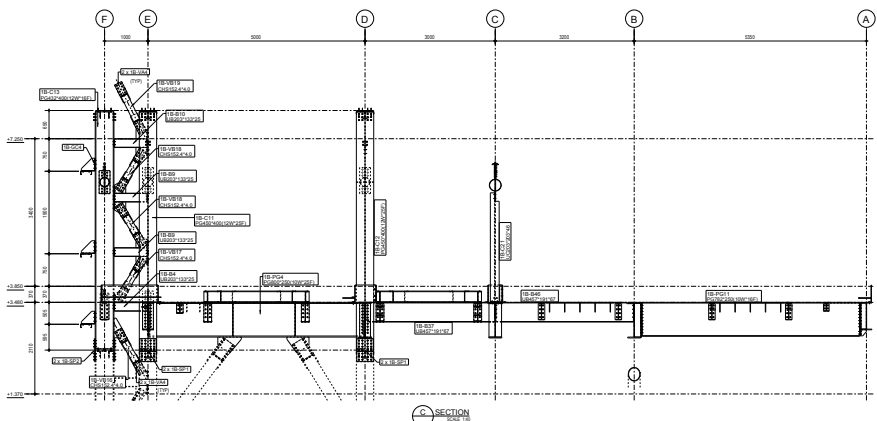
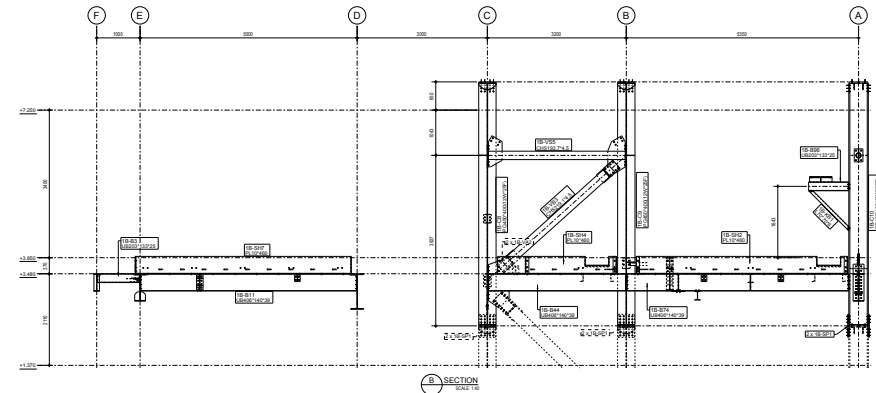
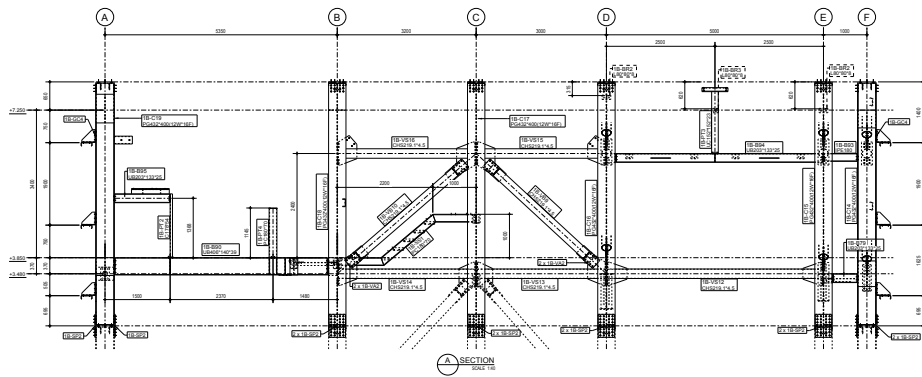
**GENERAL NOTES (I/O N)**

1. THIS DRAWING TO BE READ IN CONJUNCTION WITH RELEASED CONTRACT DOCUMENTS.
2. DIMENSIONS TO FACE UNLESS SPECIFIED OTHERWISE.
3. DIMENSIONS TO FACE UNLESS SPECIFIED OTHERWISE.
4. DIMENSIONS TO FACE UNLESS SPECIFIED OTHERWISE.
5. DIMENSIONS TO FACE UNLESS SPECIFIED OTHERWISE.
6. DIMENSIONS TO FACE UNLESS SPECIFIED OTHERWISE.
7. DIMENSIONS TO FACE UNLESS SPECIFIED OTHERWISE.



MACH ENERGY - MT - PLEASANT PROJECT  
COAL HANDLING & PROCESS PLANT  
DMS-01 CIRCUIT  
ARRANGEMENT - MODULE 1B  
PLAN VIEW

Calibre DRA JV  
MC  
04/08/2017  
1:30  
20°C  
CDJV ME1609-CP121-S-3330-00137  
A1 3300-DMS1-GA-1B-02 0



REV	DESCRIPTION	ISSUED	BY	CHKD	APP'D
1	ISSUED FOR APPROVAL	2017	MC	MC	MC
2	ISSUED FOR CONSTRUCTION	2017	MC	MC	MC

**GENERAL NOTES (I/O/N)**

1. THIS DRAWING IS TO BE READ IN CONJUNCTION WITH RELEVANT DRAWINGS.
2. DIMENSIONS TO FACE UNLESS SPECIFIED OTHERWISE.
3. DIMENSIONS TO FACE UNLESS SPECIFIED OTHERWISE.
4. DIMENSIONS TO FACE UNLESS SPECIFIED OTHERWISE.
5. DIMENSIONS TO FACE UNLESS SPECIFIED OTHERWISE.
6. DIMENSIONS TO FACE UNLESS SPECIFIED OTHERWISE.
7. DIMENSIONS TO FACE UNLESS SPECIFIED OTHERWISE.

1. THIS DRAWING IS TO BE READ IN CONJUNCTION WITH RELEVANT DRAWINGS.



MACH ENERGY - MT - PLEASANT PROJECT	Calibre DRA JV
DMS-01 CIRCUIT ARRANGEMENT - MODULE 1B	MC
SECTION REVIS	21.02.2017
CD/J ME16009-CP121-S-3330-00137	A1