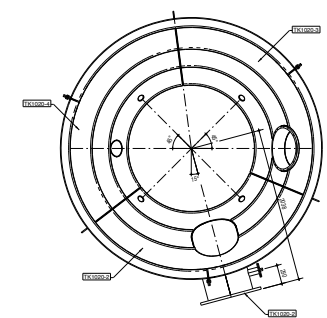
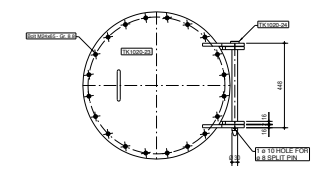


PLAN @ +215.975 T.O. TANK 3330-TK-1020

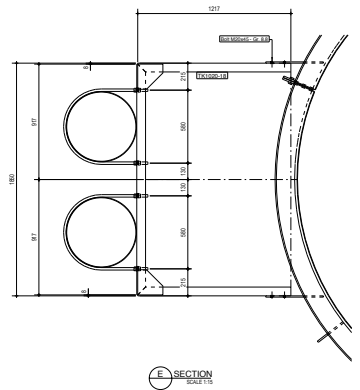


D SECTION SCALE 1:5

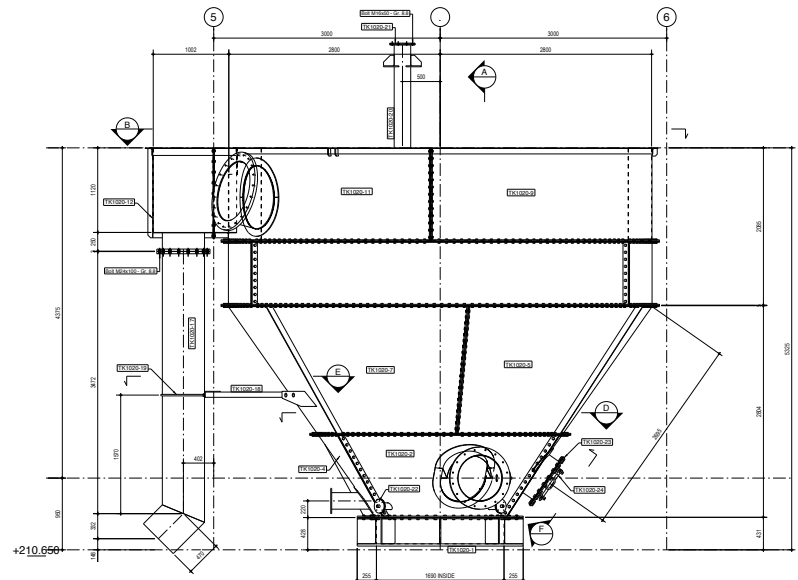


F SECTION SCALE 1:5

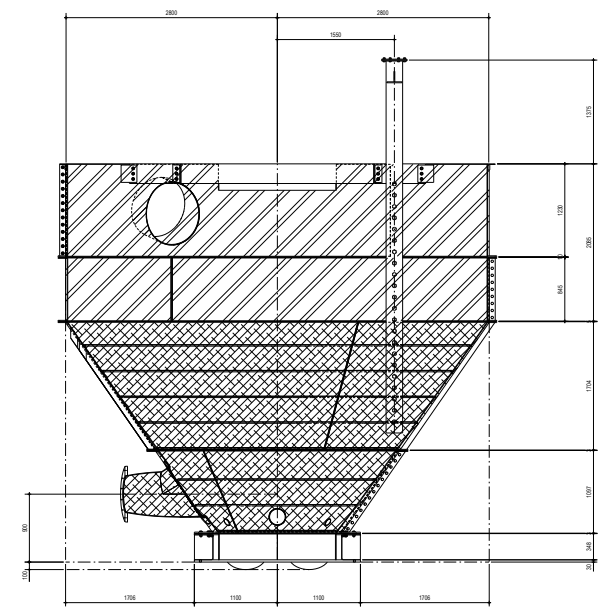
| LINER MATERIAL | |
|----------------|---------------------------------|
| | DENOTES - 6 THK RUBBER LINING |
| | DENOTES - 25 THK CERAMIC LINING |



E SECTION SCALE 1:5



ELEVATION ON TANK - 3330-TK-1020
SCALE 1:25



A SECTION SCALE 1:5

| REV | DESCRIPTION | STATUS | BY | DATE | REF. DES. No. | DESCRIPTION |
|-----|------------------------|--------|----|------------|---------------|-------------|
| 1 | ISSUED FOR PERMIT | RC | RC | 14.02.2017 | | |
| 2 | ISSUED FOR FABRICATION | RC | RC | 14.02.2017 | | |

GENERAL NOTES (I.O.N)

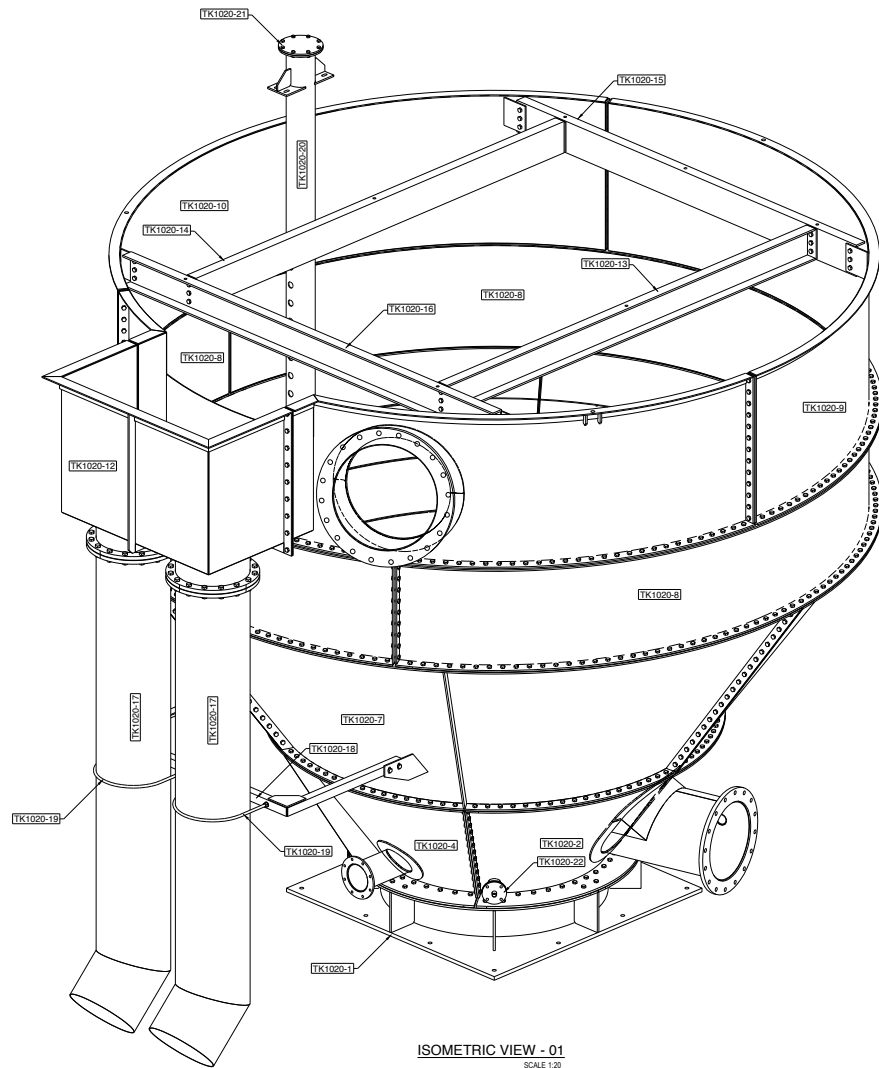
- THIS DRAWING TO BE READ IN CONJUNCTION WITH RELEVANT ASSUMPTIONS, SPECIFICATIONS.
- DIMENSIONS - MILLIMETRES UNLESS OTHERWISE STATED.
- HOLES - 50% FOR 1000 SQ. M. & BOLTS - 100% FOR 1000 SQ. M.
- MATERIALS - GRADE SS304
- NOTES - REFER ENGINEERS SPECIFICATION
- PAINTING - REFER ENGINEERS SPECIFICATION

YAN STADEN ENGINEERING
 8 Midvale Road
 Midvale
 Western Australia
 Tel: +27 11 813 2304
 Fax: +27 11 813 2344
 www.yanstadeng.com.au

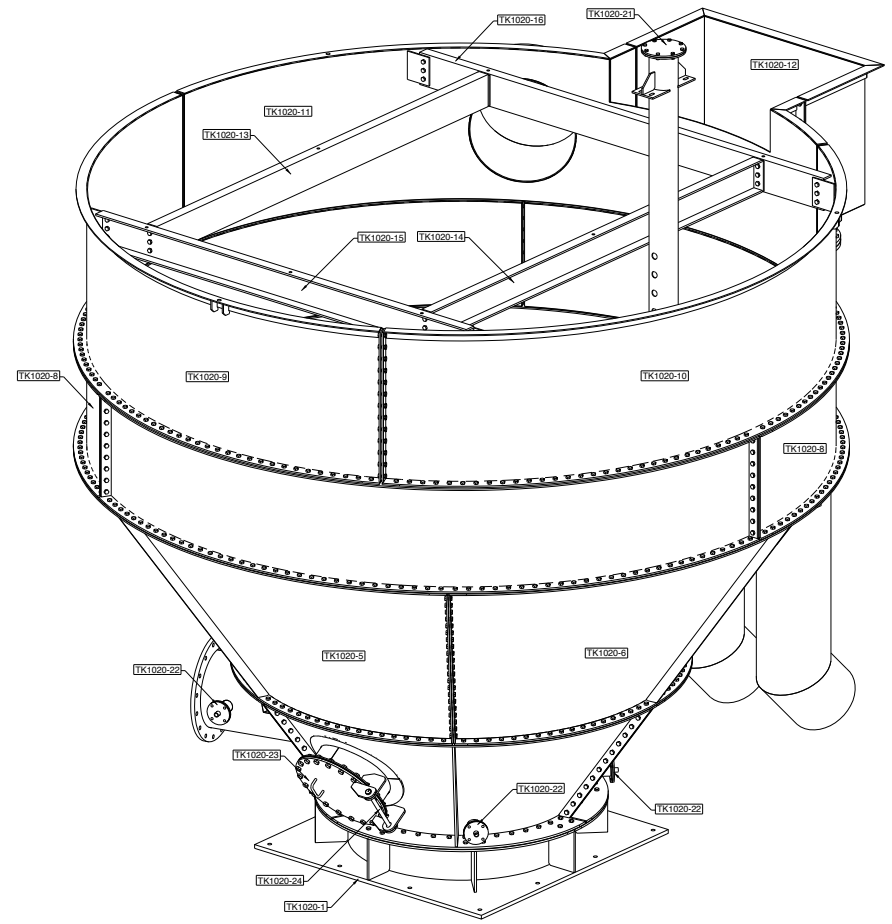
mondo cane
 P.O. Box 10000
 Johannesburg
 South Africa
 Tel: +27 11 813 2304
 Fax: +27 11 813 2344
 www.mondocane.com

MACH ENERGY - MT. PLEASANT PROJECT
 COAL HANDLING & PROCESS PLANT
 CIRCULATING MEDIUM TANK
 ARRANGEMENT
 PLAN & ELEVATION VIEWS
 CD/IV-ME16009-CP1221-MP-3330-00115

Calibre DRAJV
 RC
 1:50 1:15 1:25
 A1 3330-TK-1020-GA-001



ISOMETRIC VIEW - 01
SCALE 1:20



ISOMETRIC VIEW - 02
SCALE 1:20

| REV | DESCRIPTION | STATUS | BY | DATE | REF. DRG. No. | DESCRIPTION |
|-----|------------------------|--------|----|------------|---------------|-------------|
| A | ISSUED FOR APPROVAL | RFC | RC | 14.08.2017 | | |
| 0 | ISSUED FOR FABRICATION | RFC | RC | 14.08.2017 | | |
| | | | | | | |
| | | | | | | |

GENERAL NOTES (U.O.N)

1. THIS DRAWING TO BE READ IN CONJUNCTION WITH RELEVANT ASSEMBLY DRAWINGS.
2. DIMENSIONS - MILLIMETRES (METRIC)
3. HOLES - 220 FOR M20 GR. 8.8 BOLTS
4. WELDS - FROM FLAT CONT.
5. MATERIAL - GRADE S355JR
6. NOTCHES - CORNER RADIUS 15mm (MIN)
7. PAINTING - REFER ENGINEERS SPECIFICATION



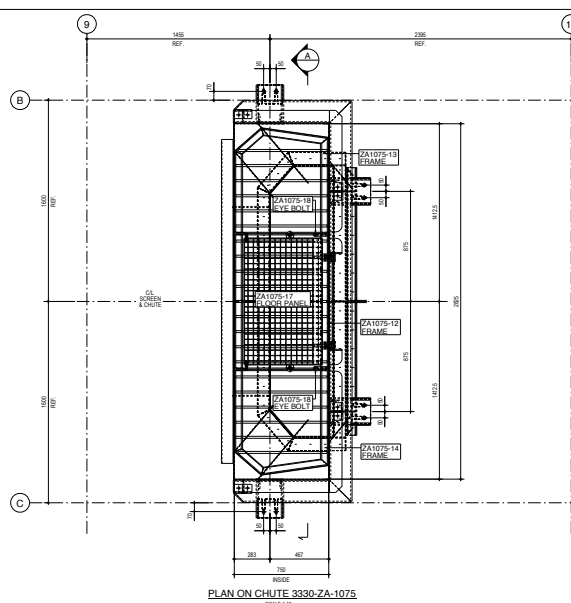
© Molecules Road
Vulcania
Brisbane

Tel: +27 11 813 1304
Fax: +27 11 817 3144
www.vanstadeneng.co.za

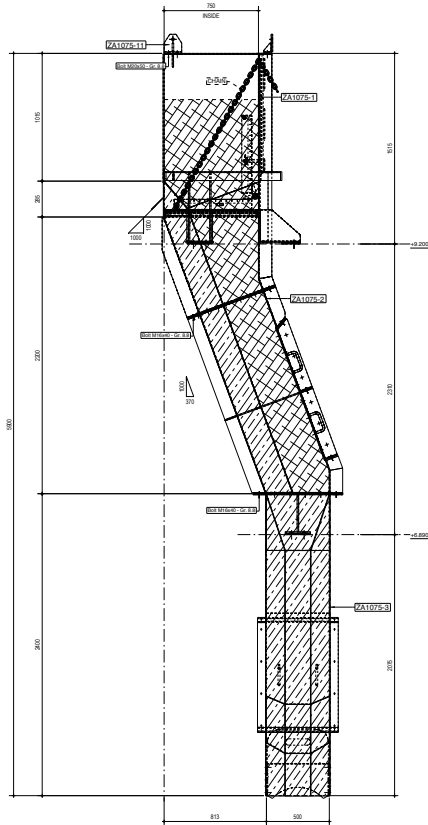


e: info@mondocane.co.za
t: +27 21 859-2447 f: +27 21 852-2666
www.mondocane.co.za

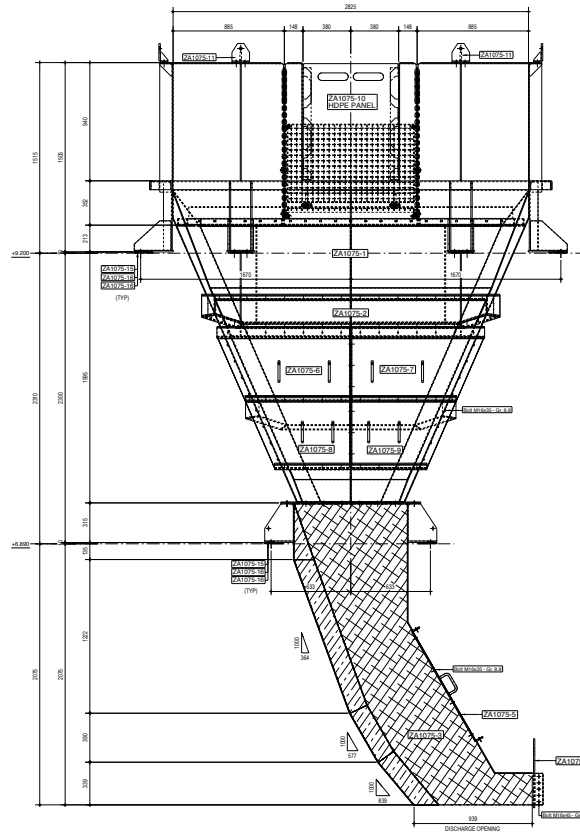
| | | | |
|--|----------------|----------------|----------------------|
| Project: MACH ENERGY - MT. PLEASANT PROJECT COAL HANDLING & PROCESS PLANT | | Calibre DRA JV | |
| Title: CIRCULATING MEDIUM TANK ARRANGEMENT ISOMETRIC VIEWS | | Model: RC | Client: [Blank] |
| Date: [Blank] | Scale: 1:20 | Drawn: [Blank] | Check: [Blank] |
| Drawn: [Blank] | Scale: [Blank] | Drawn: [Blank] | Check: [Blank] |
| Design Reference: CDJV-ME16009-CP1221-MP-3330-00115 | Sheet: A1 | Rev: 0 | 3330-TK-1020-GA- 002 |



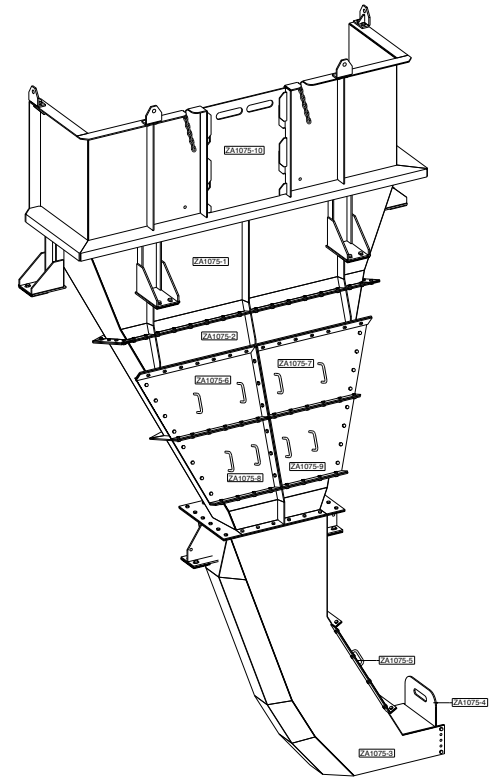
PLAN ON CHUTE 3330-ZA-1075
SCALE 1:10



ELEVATION ON CHUTE 3330-ZA-1075
SCALE 1:5



SECTION A-A
SCALE 1:5



ISOMETRIC VIEW - 3330-ZA-1075
SCALE 1:5

| LINER MATERIAL | |
|----------------|---------------------------------|
| | DENOTES - 12 THK CERAMIC LINING |
| | DENOTES - 25 THK CERAMIC LINING |

| REV | DESCRIPTION | DATE | BY | CHK | REF. DES. NO. | DESCRIPTION |
|-----|------------------------|------------|-----|-----|---------------|-------------|
| 1 | ISSUED FOR PERMIT | 20/05/2017 | ... | ... | ... | ... |
| 2 | ISSUED FOR FABRICATION | 21/05/2017 | ... | ... | ... | ... |

GENERAL NOTES (I.O.N)

- THIS DRAWING IS TO BE READ IN CONJUNCTION WITH RELEVANT ASSUMPTIONS, SPECIFICATIONS, AND CONDITIONS.
- DIMENSIONS - MILLIMETERS UNLESS OTHERWISE SPECIFIED.
- HOLE SIZE - 1.5mm CLEARANCE UNLESS OTHERWISE SPECIFIED.
- WELDING - REFER TO WELDING SPECIFICATION.
- PAINTING - REFER TO PAINTING SPECIFICATION.

| NO. | DESCRIPTION | DATE | BY | CHK | REF. DES. NO. | DESCRIPTION |
|-----|-------------|------|-----|-----|---------------|-------------|
| 1 | ... | ... | ... | ... | ... | ... |

| NO. | DESCRIPTION | DATE | BY | CHK | REF. DES. NO. | DESCRIPTION |
|-----|-------------|------|-----|-----|---------------|-------------|
| 1 | ... | ... | ... | ... | ... | ... |

| NO. | DESCRIPTION | DATE | BY | CHK | REF. DES. NO. | DESCRIPTION |
|-----|-------------|------|-----|-----|---------------|-------------|
| 1 | ... | ... | ... | ... | ... | ... |

| NO. | DESCRIPTION | DATE | BY | CHK | REF. DES. NO. | DESCRIPTION |
|-----|-------------|------|-----|-----|---------------|-------------|
| 1 | ... | ... | ... | ... | ... | ... |

| NO. | DESCRIPTION | DATE | BY | CHK | REF. DES. NO. | DESCRIPTION |
|-----|-------------|------|-----|-----|---------------|-------------|
| 1 | ... | ... | ... | ... | ... | ... |

| NO. | DESCRIPTION | DATE | BY | CHK | REF. DES. NO. | DESCRIPTION |
|-----|-------------|------|-----|-----|---------------|-------------|
| 1 | ... | ... | ... | ... | ... | ... |

| NO. | DESCRIPTION | DATE | BY | CHK | REF. DES. NO. | DESCRIPTION |
|-----|-------------|------|-----|-----|---------------|-------------|
| 1 | ... | ... | ... | ... | ... | ... |

| NO. | DESCRIPTION | DATE | BY | CHK | REF. DES. NO. | DESCRIPTION |
|-----|-------------|------|-----|-----|---------------|-------------|
| 1 | ... | ... | ... | ... | ... | ... |



MACH ENERGY - MT. PLEASANT PROJECT
COAL HANDLING & PROCESS PLANT

ARRANGEMENT
PLAN, ELEVATIONS & ISOMETRIC VIEWS

CD/JV-ME16009-CP1221-MP-3330-00122

Rev: 01
Date: 20/05/2017
Scale: 1:5
Sheet: A1 of 01

3330-ZA-1075-GA-001

